

FROSGOLD

FROSCO

**DILUTION
RECOVERY TRAP**



**NEUTRALIZING
TANK**

Available New
Model :-
FD 05
FN 100
FN 250

FROSCO

FROSCO

**INDUSTRIAL STAINLESS STEEL
CHEMICAL HOLDING TANK**

KC ENGINEERING SDN BHD

12, Jalan TIB 1/3, Taman Industri Bolton, 68100 Batu Caves, Selangor.

Tel : 03-6185 9262 Fax : 03-6185 9279

Email : work@froscoweb.com , froscoweb@yahoo.com



MADE IN MALAYSIA

& DILUTION RECOVERY

Specification

Interceptor material : (SPECIFICATION)

Date : 1-1-2016

NEUTRALIZING TANK & DILUTION RECOVERY TRAP	MATERIAL	NEUTRALIZING TANK & DILUTION COVER
Body	Stainless steel	Stainless steel
Baffle	Stainless steel	
Integral traps	Stainless steel	
Bucket (line Stone)	Stainless steel	
TYPE OF STAINLESS STEEL MATERIAL AND THE GRADE		
1. Grade SUS 316	High Corrosion Resistance	Use For Waste Water Treatment Worldwide
2. Grade SUS 304	Good Corrosion Resistance	Use For Waste Water Treatment Worldwide
3. Grade SUS 202	Normal Corrosion Resistance	Use For Architectural Decor
4. Grade SUS 439	Fair Corrosion Resistance	Use For Hot Water Heater c/w Insulation Only & Architectural Decor
5. Grade SUS 444	Fair Corrosion Resistance	Use For Architectural Décor and Hot Water Heater c/w Insulation Only

Note: Unless otherwise specified or informed in advance all FROSCO Models will be quoted with stainless steel Grade SUS 439 as a basic quote in order to meet competitive market requirement by end-users / contractors etc. However FROSCO will revise the quotation upon request to quote for an alternative grade of stainless steel material and of a different price. (For Export market, FROSCO will only quote and supply stainless steel grade SUS 316 or 304).



FD 05 (5 Litres) DILUTION RECOVERY TRAP

- Ideal for underbench installations serving one or multiple sinks
- Fabricated in stainless steel materials to give high chemicals and heat resistant properties
- Above ground installation
- Two (2) 38-mm (nominal) diameter inlets
- One (1) 38-mm (nominal) diameter outlet
- Can be dismantled for servicing



FN100 & FN250 NEUTRALIZING TANK

- FN 100 Medium (100 Litres) and FN 250 Large (250 Litres) capacity Neutralizing Tank
- Suitable for neutralizing and diluting of laboratory acids.
- Fabricated in stainless steel materials offering high chemical and impact resistant properties.
- The cover is stainless steel plate with lift up handles.
- Below ground installation.
- Regular maintenance / inspection recommended. Remove sludge and top-up neutralizing medium where necessary

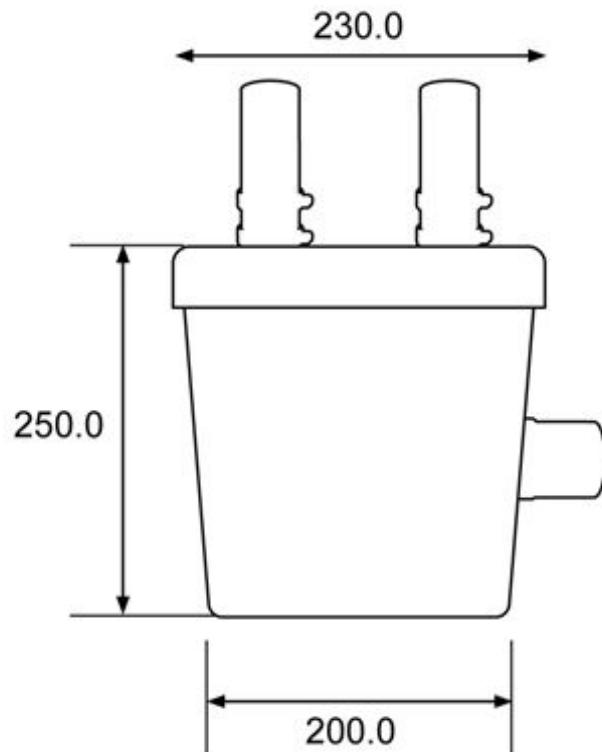
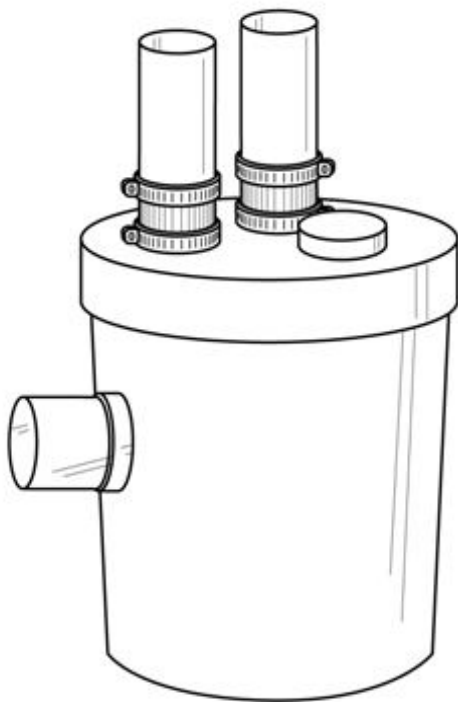


SIZING METHOD
FOR 2 SINKS : FD 05 FOR 40 SINKS : FN 100 FOR 100 SINKS : FN 250
N.B BASED ON 2.5 LITRE EACH SINK FLOWRATE (60% FILLED UP)



FROSCO

FROSCO DILUTION RECOVERY TRAP MODEL : FD 05

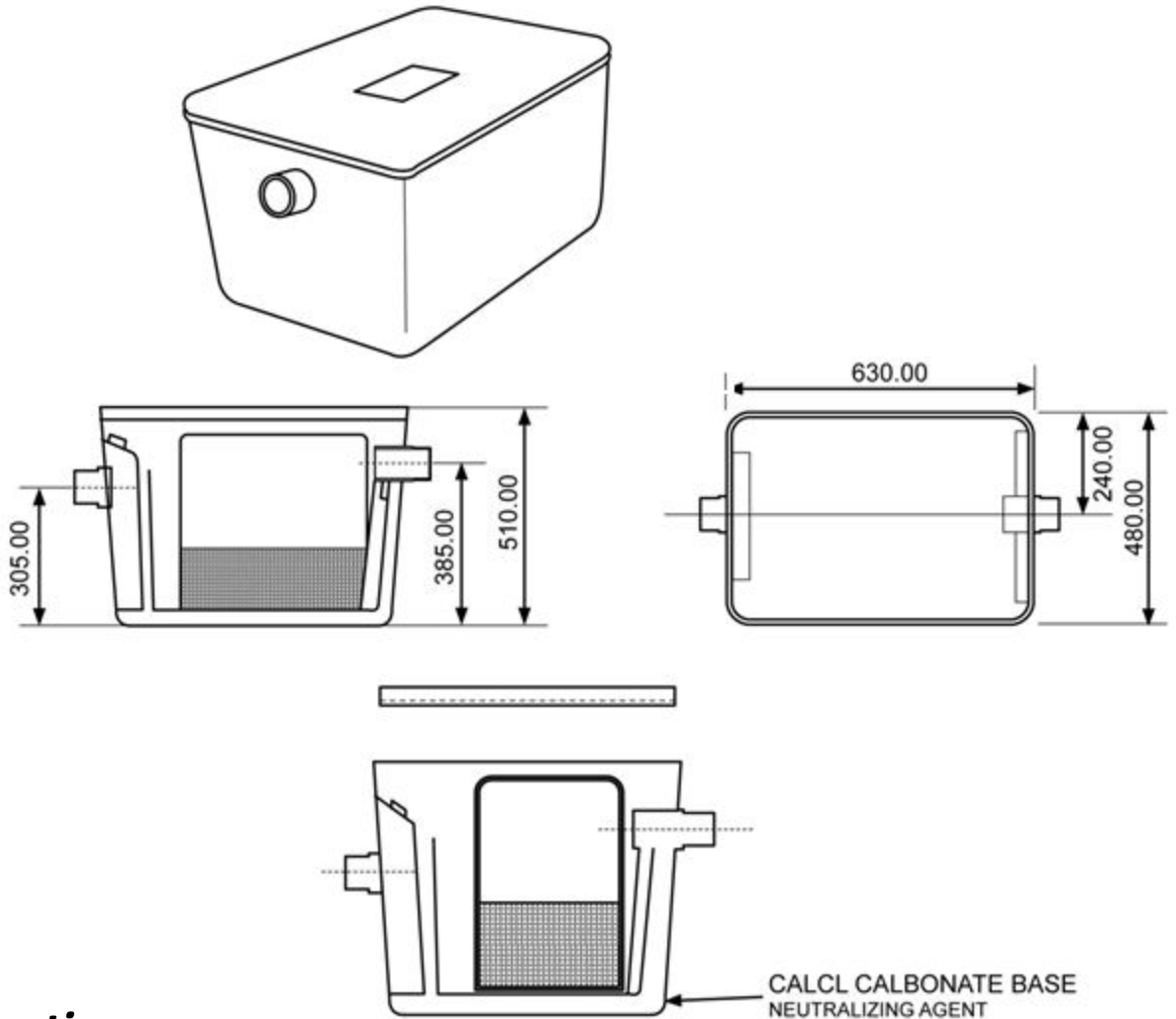


Specifications

The FD 05 Dilution Recovery Trap is fabricated in stainless steel materials to give it high chemicals and heat resistance properties. It is ideal for underbench installations serving one multiple sinks. It has a 140mm seal, 2 nos. 38mm inlet connector and a 51mm outlet. A 38mm outlet option is available if required.



FROSCO NEUTRALIZING TANK MODEL : FN 100

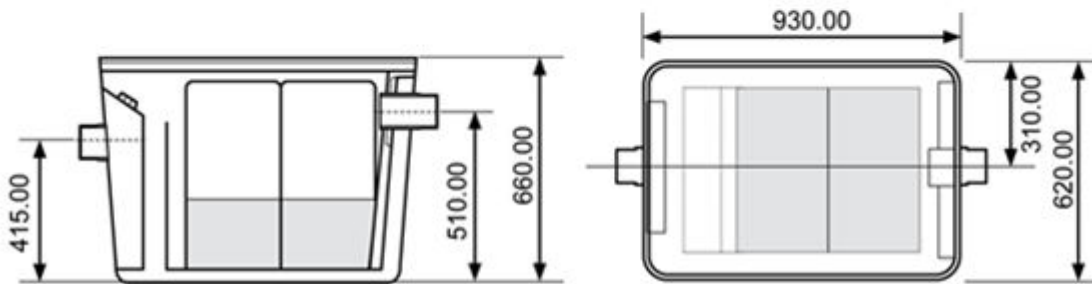
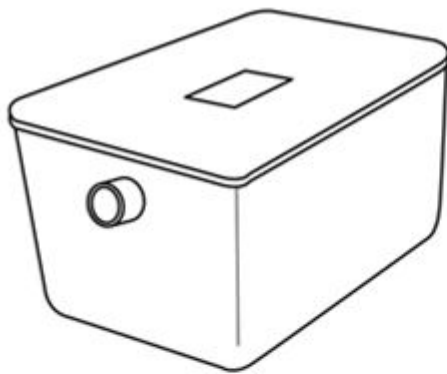


Specifications

The FN 100 is a medium capacity Neutralizing Tank of 100 litres capacity. Suitable for centralized installation for neutralizing and dilution of laboratory acids and chemicals. It is fabricated in stainless steel materials offering high chemical and impact resistant. It has horizontal inlet and outlet of 76 mm diameters. The cover is a screw down stainless steel plate. Periodic maintenance is recommended and the neutralizing agent topped up if necessary.



FROSCO NEUTRALIZING TANK MODEL : FN 250

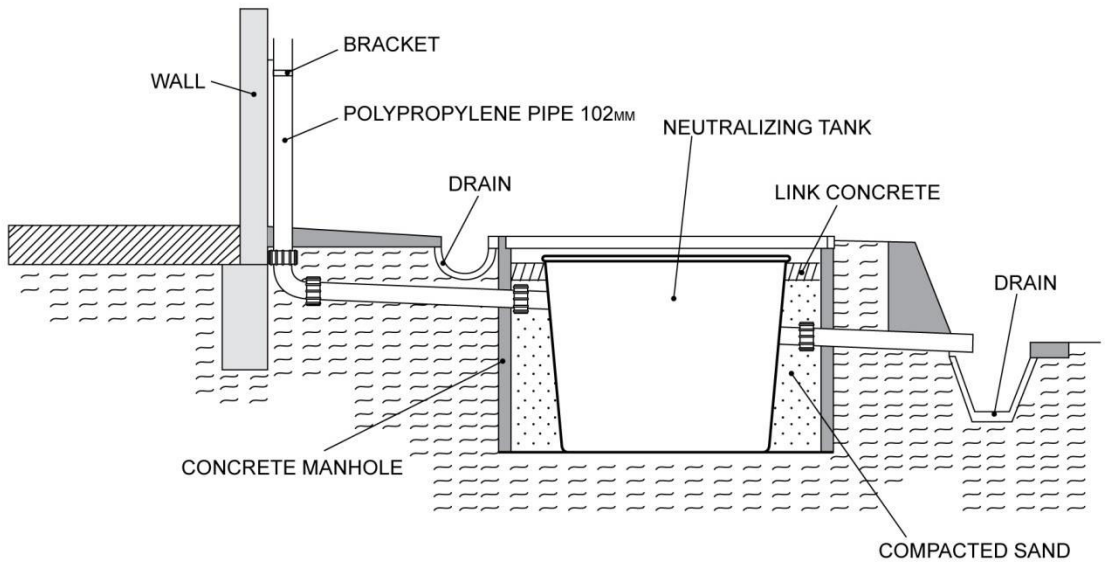


Specifications

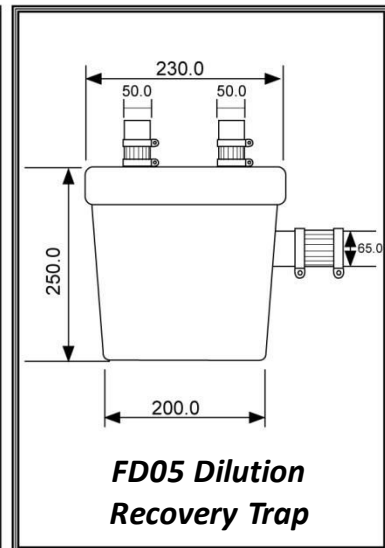
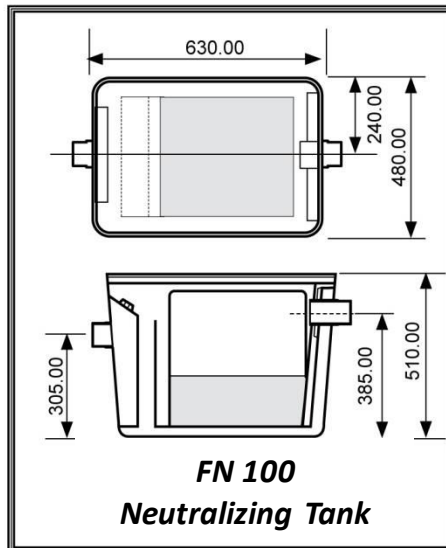
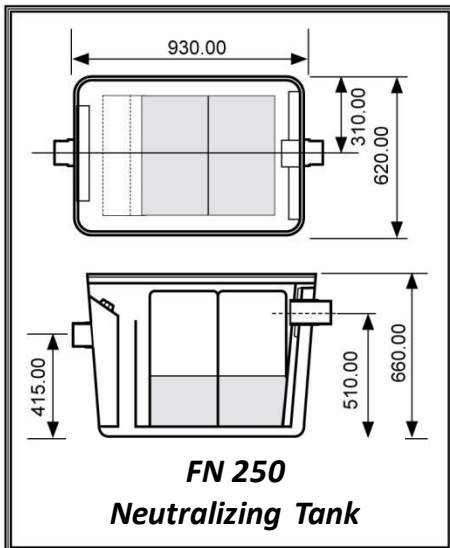
The FN 250 is a large capacity Neutralizing Tank of 250 litres capacity. Suitable for centralized installation for neutralizing and dilution of laboratory acids and chemicals. It is fabricated in stainless steel materials offering high chemical and impact resistant. It has horizontal inlet and outlet of 102mm diameters. The cover is a screw down stainless steel plate. Periodic maintenance is recommended and the neutralizing agent topped up as required.

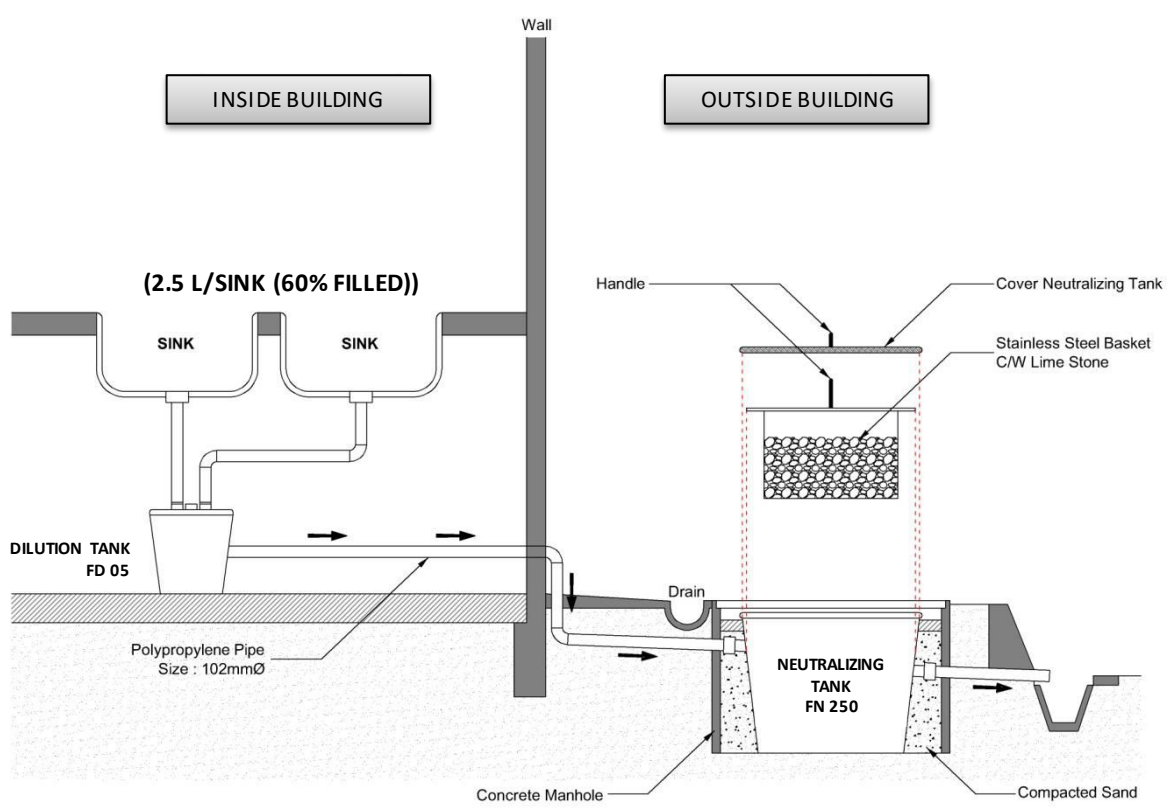


NEUTRALIZING TANK

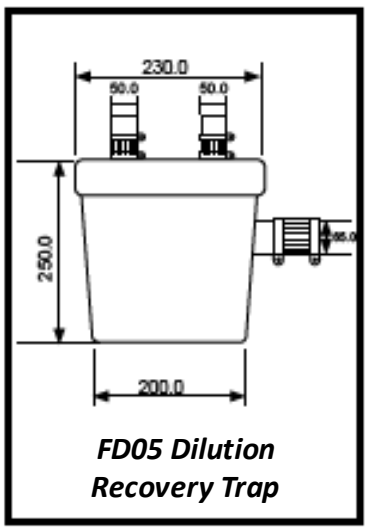
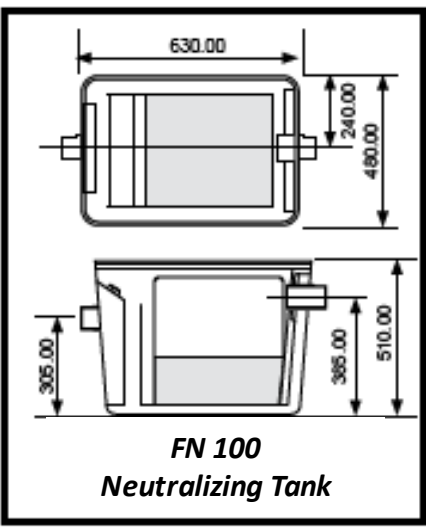
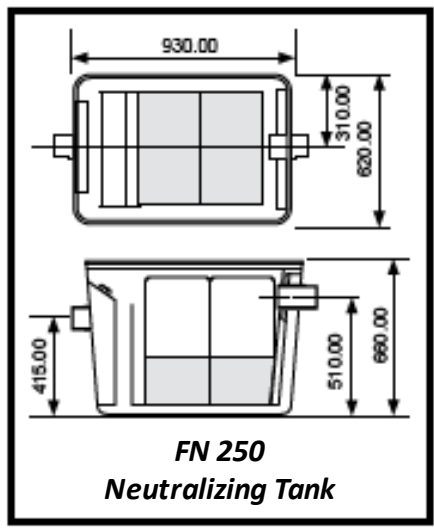


INSTALLATION OF FN 250 / FN 100

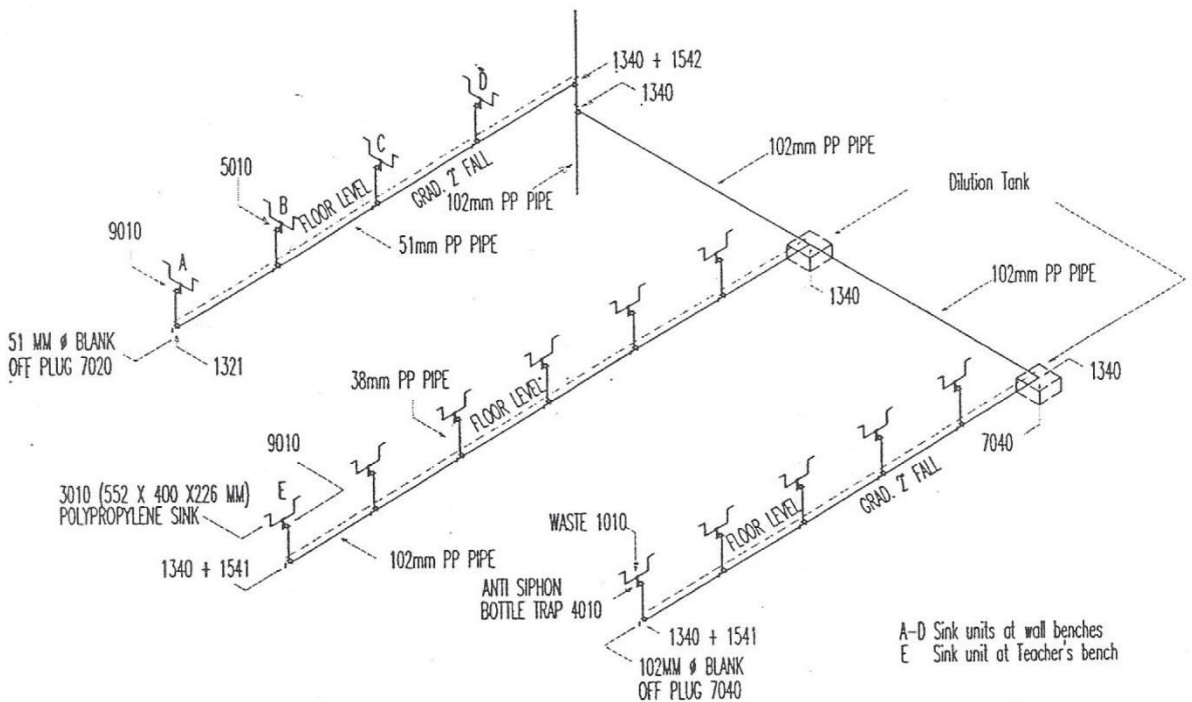




Installation of FN 250 / FN 100 / FD 05



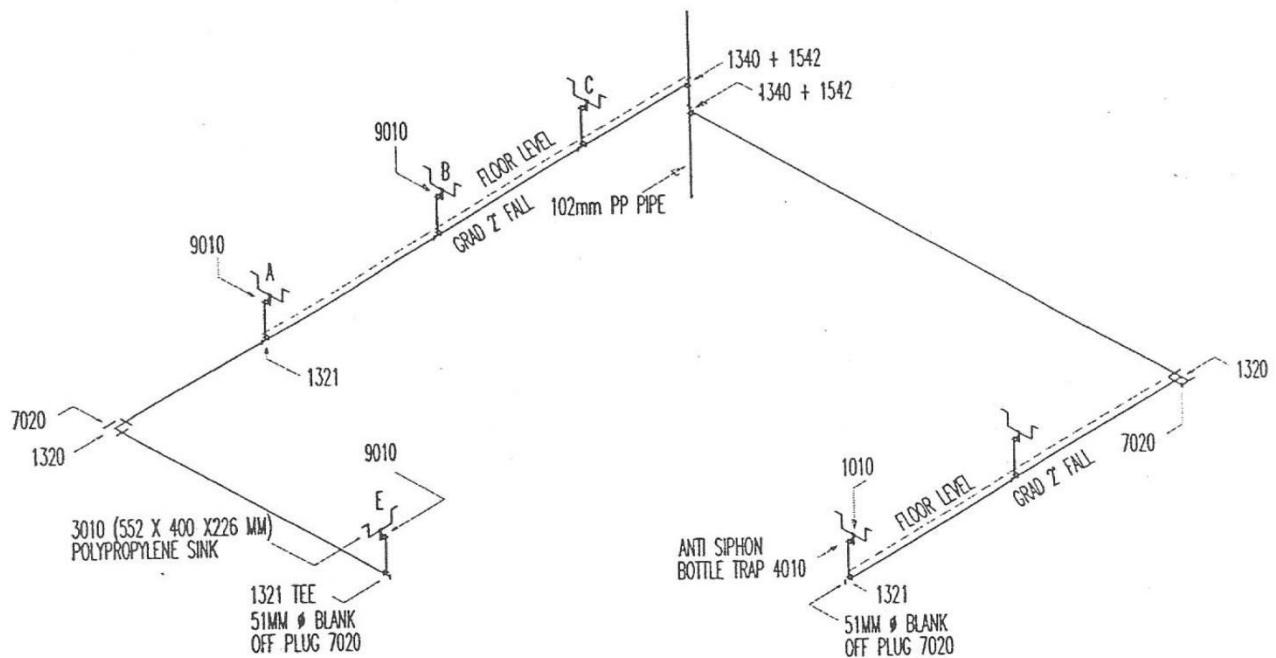
Paip Pembuangan Sisa Makmal Untuk Sekolah-Sekolah Menengah Malaysia (KBSM)



BIOLOGY LAB

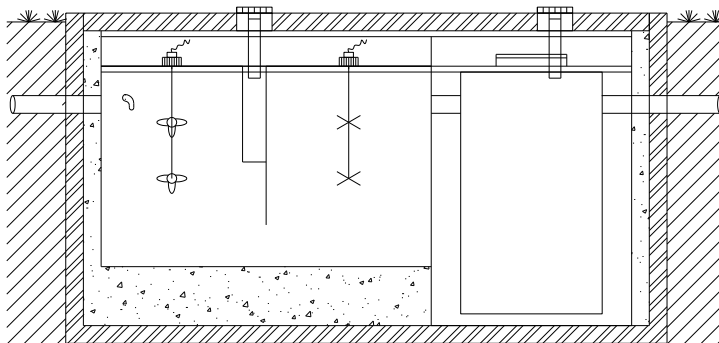
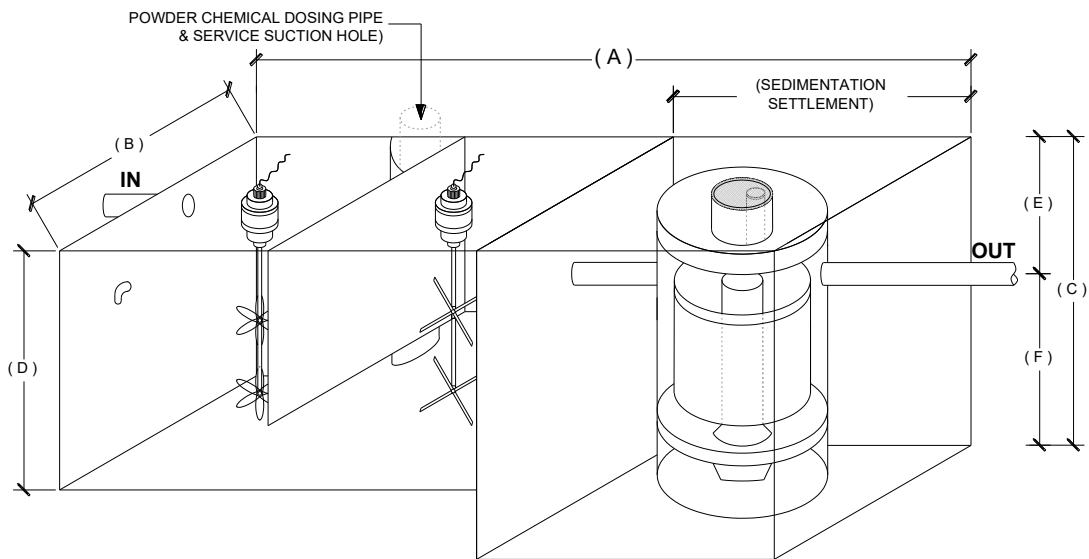


Paip Pembuangan Sisa Makmal Untuk Sekolah-Sekolah Menengah Malaysia (KBSM)



PHYSICS LAB

CONCRETE CEMENT SEPARATOR AND TREATMENT SYSTEM / CHEMICAL HOLDING TANK

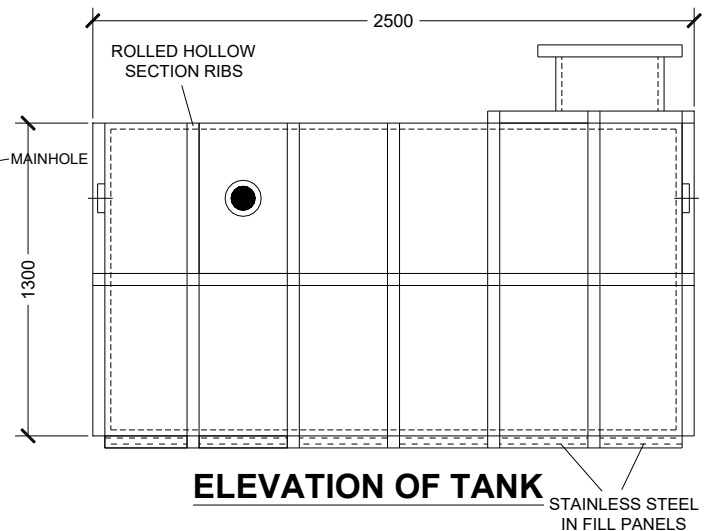
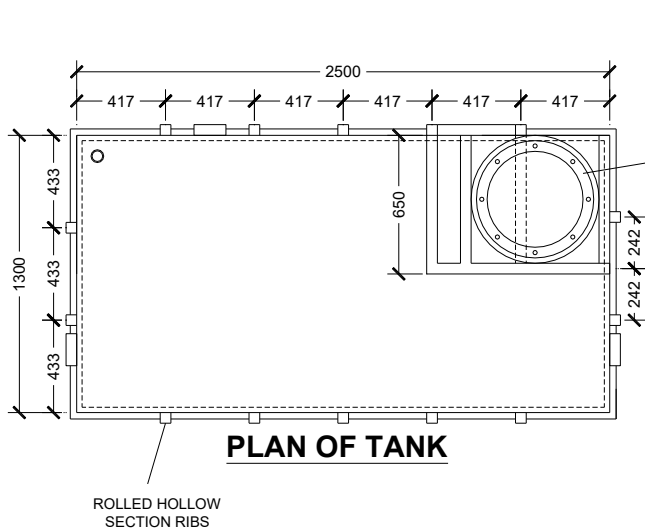
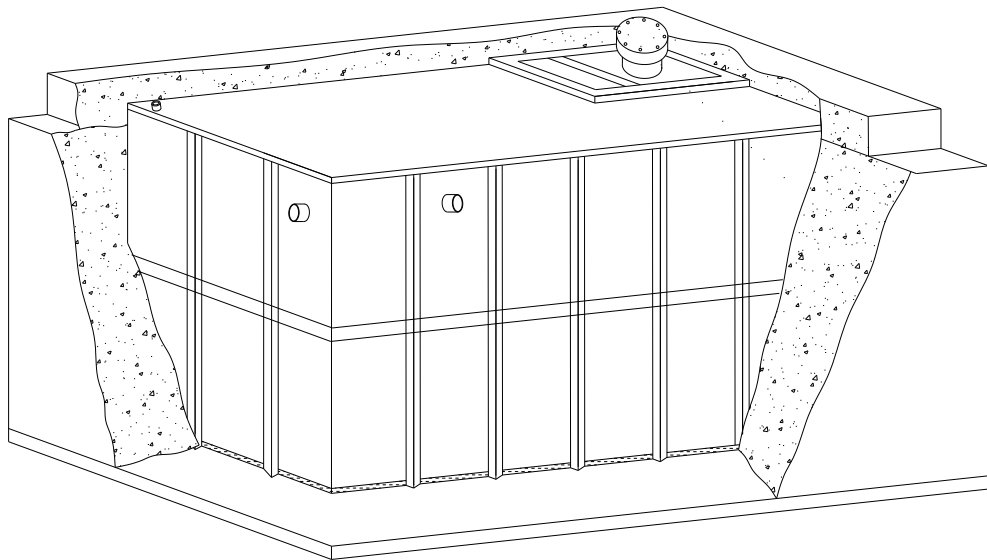


FROSGOLD

MODEL	FCCS 855 XL/SQ
SIZE	A=(2300 mm) B=(1800mm) C=(2000mm) D=(1500mm) E=(250mm) F=(1750mm)
FLOWRATE	550 GPM
PIPE Ø	150 mmØ - 200 mmØ
APPROX WEIGHT FULL	5000 KG (TANK COME WITH WATER ONLY)
MATERIAL	STAINLESS STEEL PREFABRICATED TANK
NOTE : VARIES SIZE AVAILABLE SUBJECT TO THE FLOWRATE AND SITE CONDITION FOR PIPE POSITIONING	



INDUSTRIAL STAINLESS STEEL CHEMICAL HOLDING TANK MODEL : FCHT 6600 - XL



FROSGOLD



Sole Distributor :

VTSB Trading

12, Jalan TIB 1/3, Taman Industri Bolton
68100 Batu Caves, Selangor, Malaysia

Website : www.froscoweb.com

Email : work@froscoweb.com, frosco99@yahoo.com

Tel : 03-6185 9262 (Hunting Line)

Fax : 03-6185 9279

Manufacturer :

K C Engineering Sdn Bhd (844804-X)

12, Jalan TIB 1/3, Taman Industri Bolton
68100 Batu Caves, Selangor, Malaysia

Website : www.froscoweb.com

Email : work@froscoweb.com, frosco99@yahoo.com

Tel : 03-6185 9262 (Hunting Line)

Fax : 03-6185 9279